

1064nm PM Isolator 500mW



Features

High Isolation & High Power Handling

High Extinction Ratio

Low Insertion Loss & High Return Loss

Excellent Environmental Stability and Reliability

Applications

Polarization Maintaining Fiber Amplifier

Fiber Laser

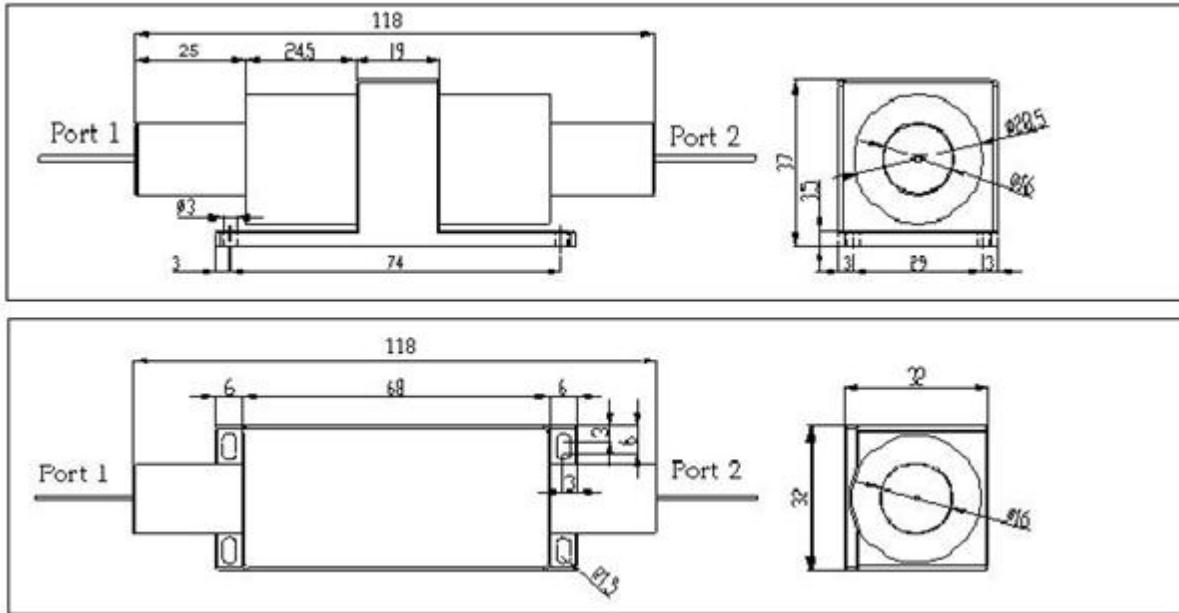
Instrumentation Applications

Lab Research

Performance Specifications

Parameters	Unit	Values
Center Wavelength (λ_c)	nm	1064 or Specify
Operating Wavelength Range	nm	± 10
Typ. Peak Isolation	dB	30~35
Min. Isolation at 23°C	dB	25
Typ. Insertion Loss	dB	0.8
Max. Insertion Loss at 23°C, λ_c	dB	1.2
Min. Return Loss (Port1/Port2)	dB	50/50
Min. Extinction Ratio (only for B Type)	dB	20
Min. Extinction Ratio (only for F Type)	dB	22
Max. Optical Power (CW)	W	0.5 1, 3, 5, 10 or Specify
Max. Tensile Load	N	5
Fiber Type		PM Panda Fiber
Operating Temperature	°C	-5 to +50
Storage Temperature	°C	-20 to +75

Size



Ordering Information

HP11-①①-②②-③③-④④-⑤⑤-⑥⑥

		⑤⑤: Fiber Jacket on Port 1 &
①①: Wavelength	③③: Handling Power	2
06 - 1064nm	0.5 - 500mW	L - 900um Loose Tube
SS - Specify	03 - 3W	C - 3mm Loose Cable
	05 - 5W	A - 3mm Armoured Cable
②②: Package Type	10 - 10W	B - 6mm Armoured Cable
C1 - Type C1		S - Specify
C2 - Type C2		
	④④: Connector Type on Port 1 & 2	⑥⑥: Fiber Length
	N - None	0.8 - 0.8m
	S - Specify	S - Specify